

Section EN54 Voice Evacuation Systems

Category EN54-24 Loudspeakers

Code C51HF/20-EN



References

Safety: Compliant to EN 50200, EN 62368-1

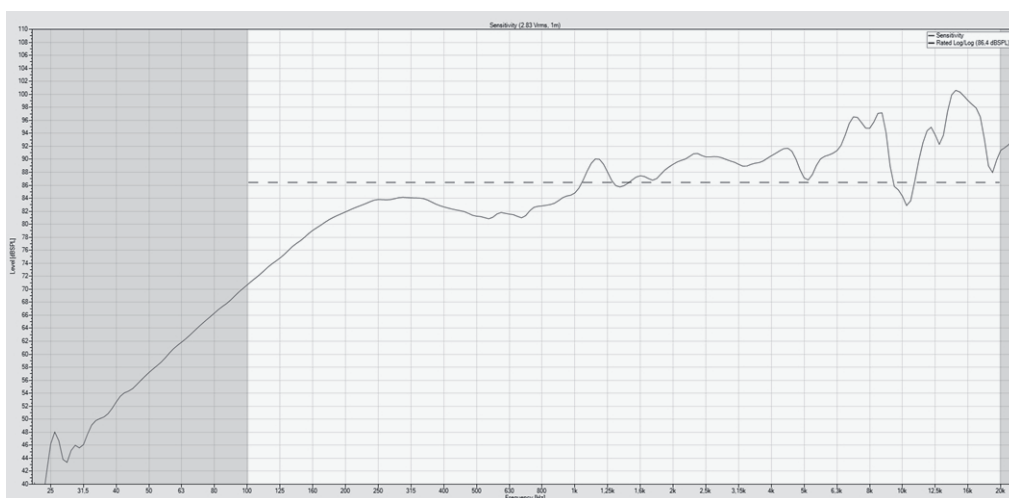
Emergency: EN54-24:2008 (cert. no. 0068-CPR169/2022)
ISO 7240-19:2010 - CEN/TS 54-32:2015 - EN 50849

Application: Indoor environment (Type A)

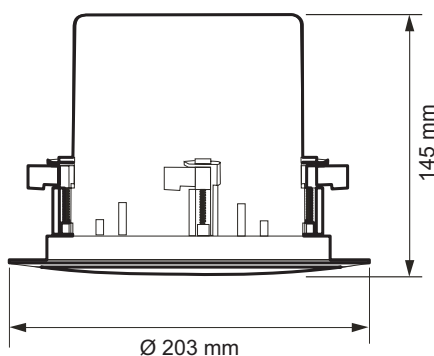
Description EN54-24 20W 2-way HI-FI ceiling speaker unit

The **C51HF/20-EN** ceiling speaker unit features a loudspeaker with a 5.25" cone and a 1" tweeter, self-extinguishing ABS body and metal fire dome and grille. Suitable for flush-mounted installation in false-ceilings, it is equipped with a protected integrated thermal fuse, a 100V transformer for connection via terminals to constant voltage lines and a rotary switch that allows you to easily adjust the output power. Low impedance connection (8 Ω) is also available. The C51HF/20-EN model provides excellent sound performance and speech intelligibility, as well as powerful music reproduction. It is ideal for installation in large facilities such as schools, hotels, airports and conference rooms.

Technical data



Frequency response @ 1W/1m



Overall dimensions

Technical data

C51HF/20-EN



22

PASO S.p.A Via Settembrini, 34 - 20045 Lainate (MI)

0068

0068-CPR-169/2022

EN 54-24

Loudspeaker for voice alarm systems
for fire detection and fire alarm systems for buildings

C51HF/20-EN

Type A

No. of loudspeakers	2, 5.25" woofer & 1" tweeter
Rated output power	20 W
Adjustable power (100 V line)	20 W / 10 W / 5 W / 2,5 W - 8 Ω
Impedance (100 V line)	500 Ω / 1000 Ω / 2000 Ω / 4000 Ω
Line transformer inputs	100 V / 70 V
Rated impedance	8 Ω
Frequency response @ -6dB	100 ÷ 20.000 Hz
Efficiency @ 1W/1m	86 dB
Maximum sound pressure SPL @ Pmax/1m	99 dB
Hor./Vert. dispersion angle @ -6dB	180° (500 Hz) 120° (1 kHz) 95° (2 kHz) 85° (4 kHz)
Protection degree	IP 21C
Material	ABS structure, metallic fire dome and grille
Mounting	Spring clips
Colour	White
Cutout size	Ø 170 mm
Dimensions	Ø 203 x 145 mm
Net weight	1,7 kg